



Series **ONK**
2wire
4" PERIPHERAL SUBMERSIBLE
ELECTROPUMP

ONK 2W Series

4" Peripheral submersible electropump

Technical features

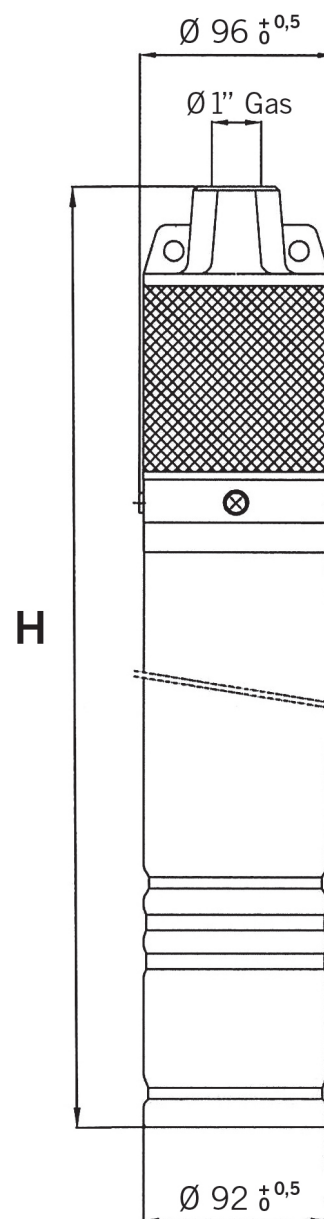
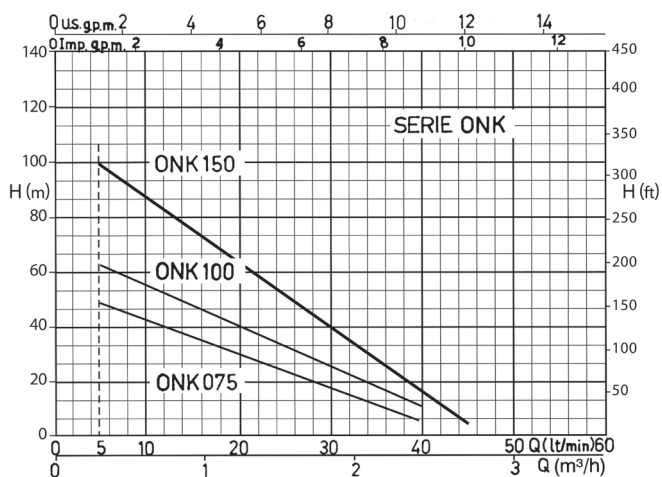
- Rewindable.
- Motor upper bracket: nickel plated cast iron
- Pump body and delivery head: nickel plated cast iron
- Impeller: stamped brass
- Motor case: SS 304.
- Motor shaft: SS 304.
- High quality radial and thrust ball bearings.
- Winding: enameled copper - Class F insulation.
- Degree of protection IP68/Class B insulation .
- Max temp. 35° with water cooling flow min. 0.08 m/s.
- Max depth immersion: 150 m.
- Nos. of start per hour: max 30 at regular intervals.
- Mechanical seal: graphite/ceramic
- Coolant: dielectric non toxic high quality lubricant.
- Pump cable length: 10m (3 wires plus ground).
- Voltage variation: +/-10%.
- Single phase motor pump available in both version CSCR & PSC.
- Suitable for horizontal operation.

Motor range versions:

- Single Phase: 0.55kW (0.75hp) to 1.1kW (1.5hp), 220-230V / 50Hz (or 60 Hz).
- Other voltage and frequencies available upon request.

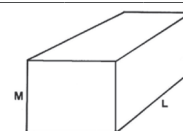
Operating curves at 2900 RPM - 50 Hz

The operating graphic is valid a 2900 RPM.
Indicated working data are for **continuous service** at normal water temperature and density 1 Kg/dmc.



DIMENSION AND WEIGHT

Mod.	H mm	Packaging			Weight Kg
		I	L	M	
ONK M 075	435	250	500	170	12,5
ONK M 100	460	250	500	170	13
ONK M 150	530	250	600	170	15



ONK 2W Series

4" Peripheral submersible electropump

SINGLE PHASE																
50Hz.		Amp.		Motor			Q m ³ /h (l/min)									
							0,3 (5)	0,6 (10)	0,9 (15)	1,2 (20)	1,5 (25)	1,8 (30)	2,1 (35)	2,4 (40)	2,7 (45)	
220V		A		Kw		Hp		H (m)								
								ONK	M	075	4.3	0,55	0,75	45	41	36
		ONK	M	100	5.8	0,75	1	63	49	42	37	30	23	16	10	6
		ONK	M	150	7.9	1,1	1,5	102	78	67	58	48	37	25	15	7



Sumoto srl a company of Ebara Group
 Via Peripoli R. e G., 1/3 - 36075
 Alte di Montecchio Maggiore (Vicenza) - Italy
 Tel. +39 0444 490515 - Fax +39 0444 490518
 info@sumoto.com
 www.sumoto.com

